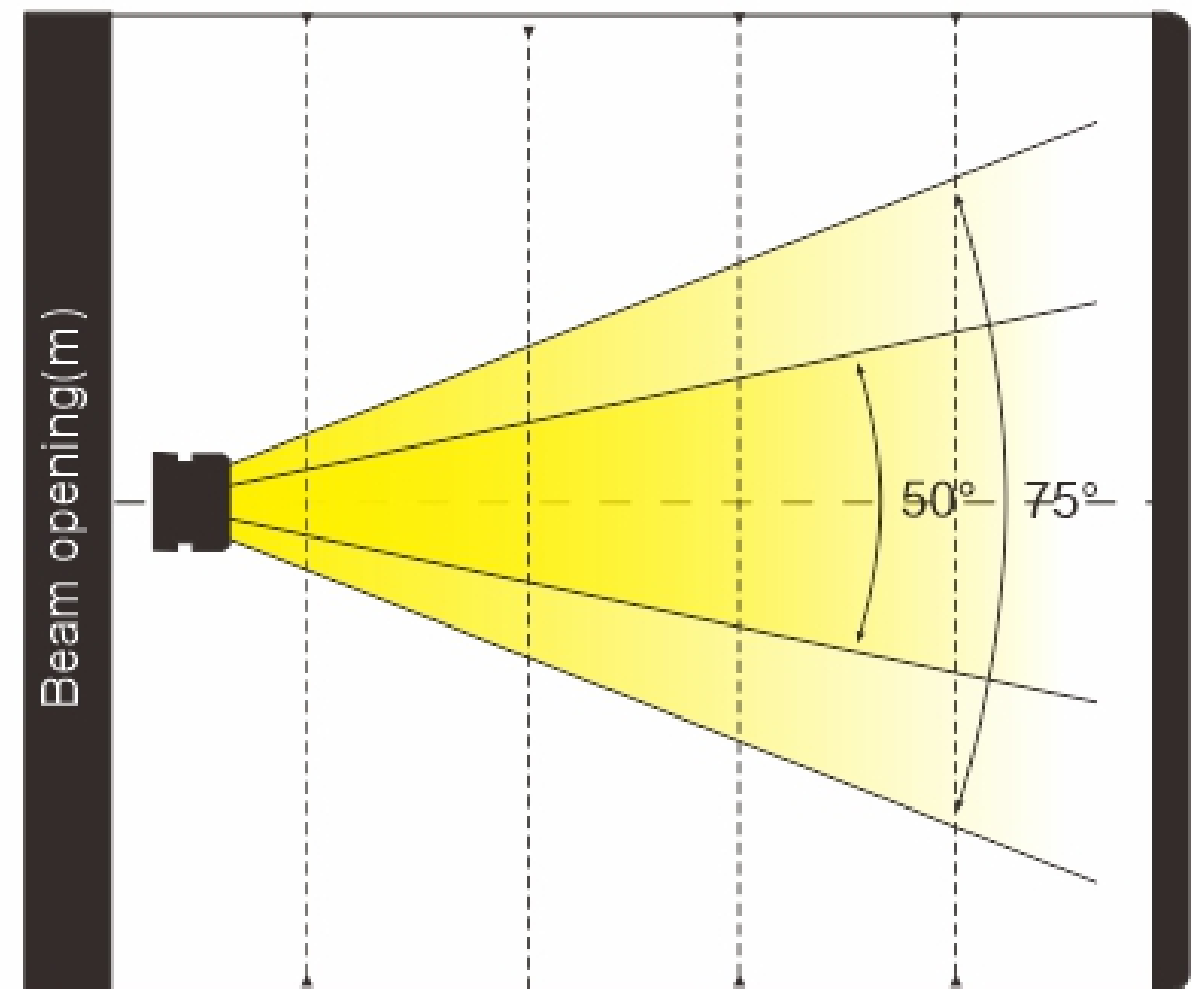
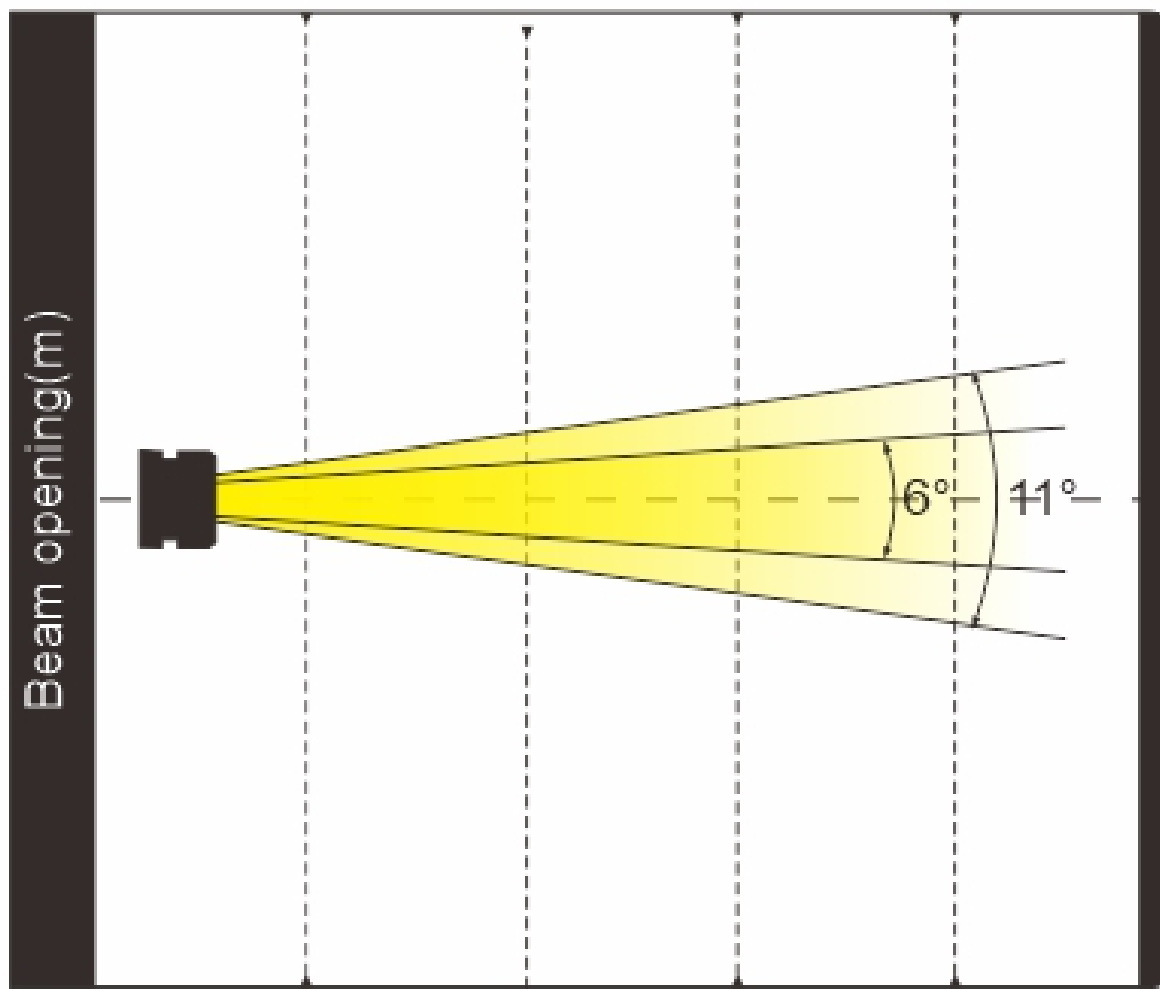


Beam angle 6°
 Field angle 11°
 Intensity LUX(min)

Red leds	1430	358	159	89
Green leds	4127	1032	459	258
Bule leds	1043	261	116	65
White leds	6415	1603	713	401
Full leds	11140	2785	1238	696

Beam angle 50°
 Field angle 75°
 Intensity LUX

Red leds	55	14	6	3
Green leds	141	35	16	9
Bule leds	32	8	4	2
White leds	225	56	25	14
Full leds	387	97	43	24



Distance(m)	5	10	15	20
Diameter(m)	Φ0.97	Φ1.95	Φ2.92	Φ3.9

Distance(m)	5	10	15	20
Diameter(m)	Φ7.73	Φ15.46	Φ23.19	Φ30.92