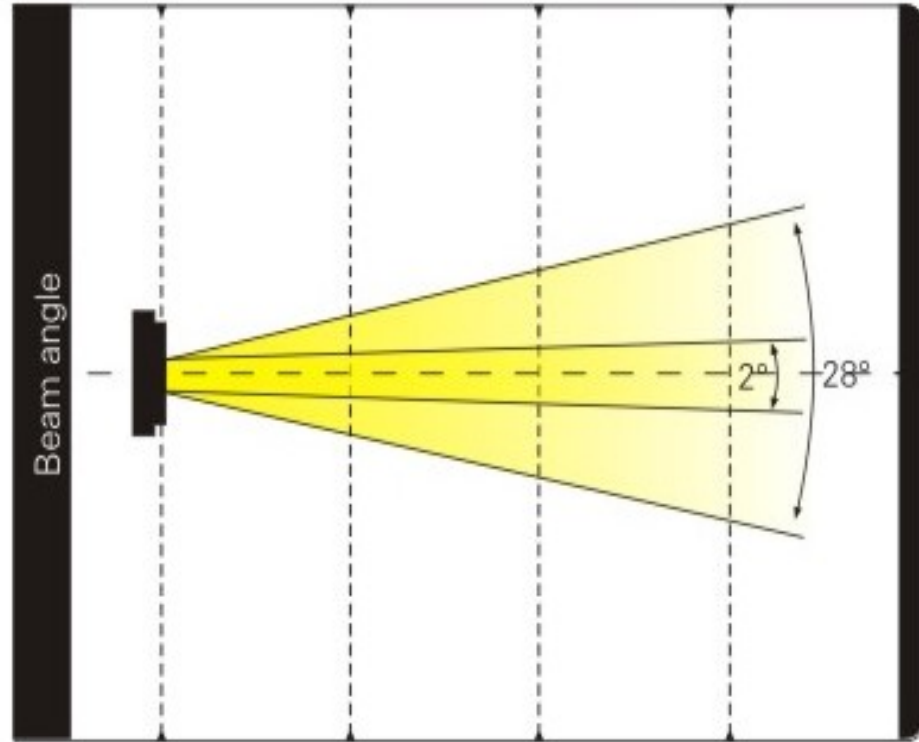


# Beam

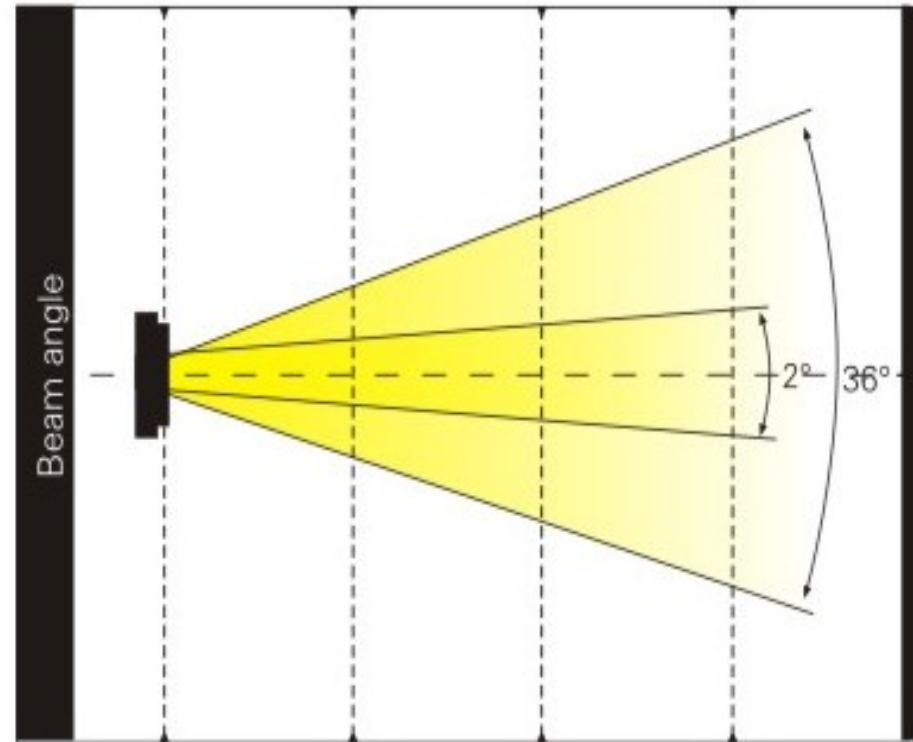
Intensity (LUX)(2°)	460000	210000	108000
Intensity (LUX)(28°)	88400	46000	26000



Distance(m)	10	15	20
2°Diameter(m)	Φ0.34	Φ0.52	Φ0.7
28°Diameter(m)	Φ0.52	Φ0.78	Φ1

# Spot

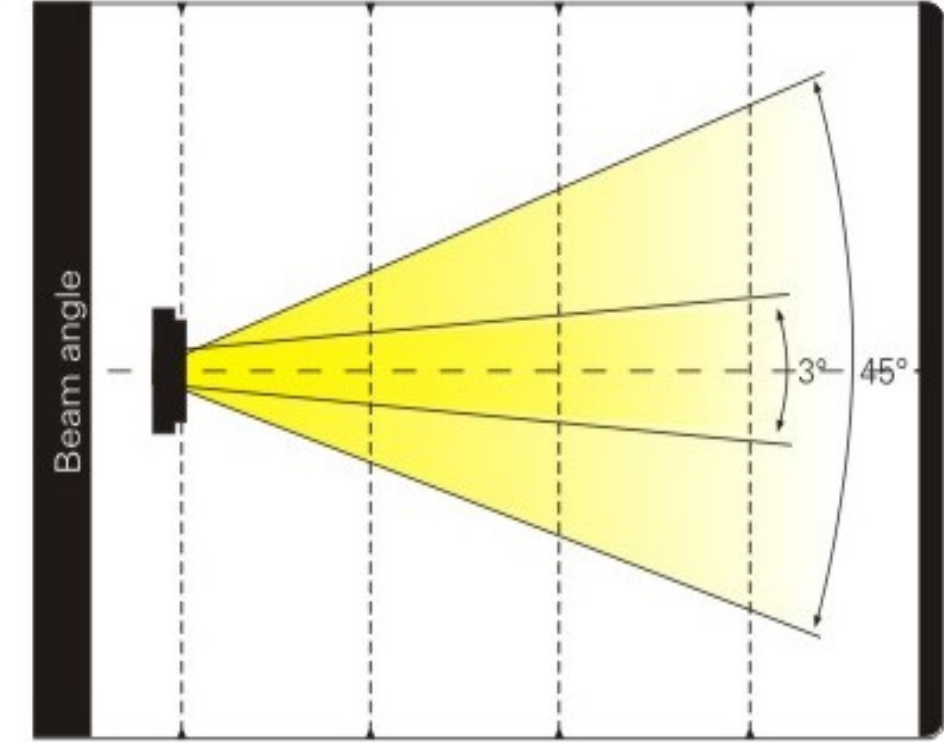
Intensity (LUX)(2°)	12000	34000	26000
Intensity (LUX)(36°)	2550	1100	670



Distance(m)	5	7.5	10
2°Diameter(m)	Φ0.44	Φ0.7	Φ1
36°Diameter(m)	Φ2.8	Φ5.8	Φ8.5

# Wash

Intensity (LUX)(3°)	84000	43000	25000
Intensity (LUX)(45°)	8050	2000	1400



Distance(m)	5	7.5	10
3°Diameter(m)	Φ0.62	Φ0.95	Φ1.2
45°Diameter(m)	Φ2.3	Φ4.7	Φ7